

Screw to connect high pressure heavy duty couplings

• **PTC SERIES**

INTRODUCTION

PTC Series screw to connect couplings are designed for heavy duty applications involving very high pressures and severe pressure pulse conditions.

CONSTRUCTION

- Carbon steel with trivalent plating
- Fitted with NBR seals
- Also available in AISI 316 stainless steel (See PTS Series)

FEATURES

- Screw to connect design eliminates brinelling
- Can be connected with up to 50 bar (735 psi) residual pressure in the hydraulic circuit
- Bidirectional flow

ACCESSORIES

- Dust caps, plugs and seal kits are available for the PTC Series



SPECIFICATIONS

- Operating temperatures (With NBR seals): -40°C (-40°F) to 106°C (223°F)

APPLICATIONS

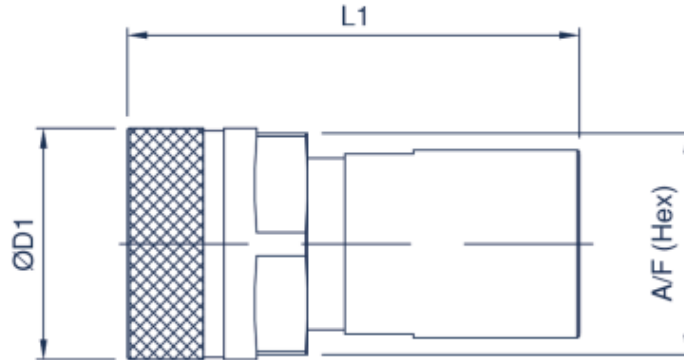
- Hydraulic jacks
- Hydraulic hammers
- Construction plant
- Mobile equipment
- Demolition
- Agricultural industries

PTC PERFORMANCE CHARACTERISTICS

Body Size	PTC06	PTC10	PTC12	PTC19	PTC25	PTC32	PTC40	PTC50
	Pressure in bar - Flow in LPM							
	Pressure in PSI - Flow in GPM							
Maximum working pressure (Coupled)	800	750	750	700	550	550	400	350
	11600	10875	10875	10150	7975	7975	5800	5075
Burst pressure (Coupled)	2500	2350	2180	2140	1960	2000	1480	1020
	36250	34075	31610	31030	28420	29000	21460	14790
Burst pressure (Male)	2400	2850	2400	2120	1580	1780	1180	1300
	34800	41325	34800	30740	22910	25910	17110	18850
Burst pressure (Female)	2400	2450	2180	2300	2220	1780	1290	1300
	34800	35525	31610	33350	32190	25810	18705	18850
Rated flow	3	23	45	106	189	288	379	757
	0.8	6.1	12	28	50	76	100	200

SCREW TO CONNECT HIGH PRESSURE HEAVY DUTY COUPLINGS

• PTC SERIES



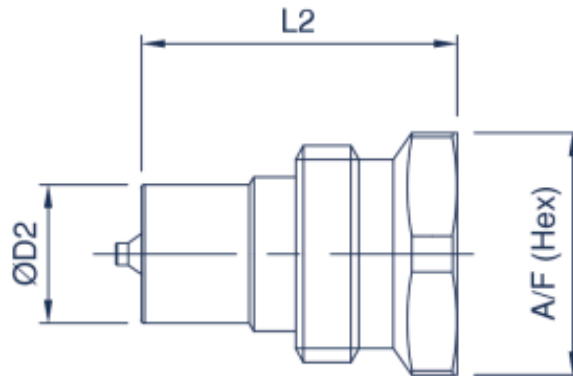
PTC FEMALE COUPLING

Body Size	Part Number	Thread Size	D1		L1		A/F	
			mm	inch	mm	inch	mm	inch
06 (1/4)	PTC06-F-04G	1/4 BSPP	30.0	1.18	61.5	2.42	27.0	1.06
	PTC06-F-04N	1/4 NPTF	30.0	1.18	61.5	2.42	27.0	1.06
	PTC06-F-06S	9/16-18 UNF	30.0	1.18	61.5	2.42	27.0	1.06
10 (3/8)	PTC10-F-06G	3/8 BSPP	39.0	1.54	69.0	2.72	36.0	1.42
	PTC10-F-06N	3/8 NPTF	39.0	1.54	69.0	2.72	36.0	1.42
	PTC10-F-06S	9/16-18 UNF	39.0	1.54	69.0	2.72	36.0	1.42
12 (1/2)	PTC12-F-08G	1/2 BSPP	44.0	1.73	79.0	3.11	41.0	1.61
	PTC12-F-08N	1/2 NPTF	44.0	1.73	79.0	3.11	41.0	1.61
	PTC12-F-08S	3/4-16 UNF	44.0	1.73	79.0	3.11	41.0	1.61
19 (3/4)	PTC19-F-12G	3/4 BSPP	54.0	2.13	97.5	3.84	50.0	1.97
	PTC19-F-12N	3/4 NPTF	54.0	2.13	97.5	3.84	50.0	1.97
	PTC19-F-12S	1 1/16-12 UN	54.0	2.13	97.5	3.84	50.0	1.97
25 (1)	PTC25-F-16G	1 BSPP	59.0	2.32	112.5	4.43	54.5	2.15
	PTC25-F-16N	1 NPTF	59.0	2.32	112.5	4.43	54.5	2.15
	PTC25-F-16S	1 5/16-12 UN	59.0	2.32	112.5	4.43	54.5	2.15
32 (1 1/4)	PTC32-F-20G	1 1/4 BSPP	80.0	3.15	139.5	5.49	74.5	2.93
	PTC32-F-20N	1 1/4 NPTF	80.0	3.15	139.5	5.49	74.5	2.93
	PTC32-F-20S	1 5/8-12 UN	80.0	3.15	139.5	5.49	74.5	2.93
40 (1 1/2)	PTC40-F-24G	1 1/2 BSPP	98.0	3.86	172.0	6.77	90.0	3.54
	PTC40-F-24N	1 1/2 NPTF	98.0	3.86	172.0	6.77	90.0	3.54
	PTC40-F-24S	1 7/8-12 UN	98.0	3.86	172.0	6.77	90.0	3.54
50 (2)	PTC50-F-32G	2 BSPP	127.5	5.02	160.0	6.30	123.0	4.84
	PTC50-F-32N	2 NPTF	127.5	5.02	160.0	6.30	123.0	4.84
	PTC50-F-32S	2 1/2-12 UN	127.5	5.02	160.0	6.30	123.0	4.84

*For all other configurations or thread types please contact the sales office.

SCREW TO CONNECT HIGH PRESSURE HEAVY DUTY COUPLINGS

• PTC SERIES



PTC MALE COUPLING

Body Size	Part Number	Thread Size	D2		L2		A/F	
			mm	inch	mm	inch	mm	inch
06 (1/4)	PTC06-M-04G	1/4 BSPP	14.2	0.56	43.0	1.69	25.0	0.98
	PTC06-M-04N	1/4 NPTF	14.2	0.56	43.0	1.69	25.0	0.98
	PTC06-M-06S	9/16-18 UNF	14.2	0.56	43.0	1.69	25.0	0.98
10 (3/8)	PTC10-M-06G	3/8 BSPP	19.0	0.75	48.5	1.91	32.0	1.26
	PTC10-M-06N	3/8 NPTF	19.0	0.75	48.5	1.91	32.0	1.26
	PTC10-M-06S	9/16-18 UNF	19.0	0.75	48.5	1.91	32.0	1.26
12 (1/2)	PTC12-M-08G	1/2 BSPP	20.5	0.81	53.0	2.09	34.0	1.34
	PTC12-M-08N	1/2 NPTF	20.5	0.81	53.0	2.09	34.0	1.34
	PTC12-M-08S	3/4-16 UNF	20.5	0.81	53.0	2.09	34.0	1.34
19 (3/4)	PTC19-M-12G	3/4 BSPP	28.0	1.10	63.0	2.48	46.0	1.81
	PTC19-M-12N	3/4 NPTF	28.0	1.10	63.0	2.48	46.0	1.81
	PTC19-M-12S	1 1/16-12 UN	28.0	1.10	63.0	2.48	46.0	1.81
25 (1)	PTC25-M-16G	1 BSPP	31.3	1.23	72.5	2.85	50.0	1.97
	PTC25-M-16N	1 NPTF	31.3	1.23	72.5	2.85	50.0	1.97
	PTC25-M-16S	1 5/16-12 UN	31.3	1.23	72.5	2.85	50.0	1.97
32 (1 1/4)	PTC32-M-20G	1 1/4 BSPP	44.0	1.73	86.0	3.39	65.0	2.56
	PTC32-M-20N	1 1/4 NPTF	44.0	1.73	86.0	3.39	65.0	2.56
	PTC32-M-20S	1 5/8-12 UN	44.0	1.73	86.0	3.39	65.0	2.56
40 (1 1/2)	PTC40-M-24G	1 1/2 BSPP	53.5	2.11	95.0	3.74	80.0	3.15
	PTC40-M-24N	1 1/2 NPTF	53.5	2.11	95.0	3.74	80.0	3.15
	PTC40-M-24S	1 7/8-12 UN	53.5	2.11	95.0	3.74	80.0	3.15
50 (2)	PTC50-M-32G	2 BSPP	82.0	3.23	118.5	4.67	110.0	4.33
	PTC50-M-32N	2 NPTF	82.0	3.23	118.5	4.67	110.0	4.33
	PTC50-M-32S	2 1/2-12 UN	82.0	3.23	118.5	4.67	110.0	4.33

*For all other configurations or thread types please contact the sales office.